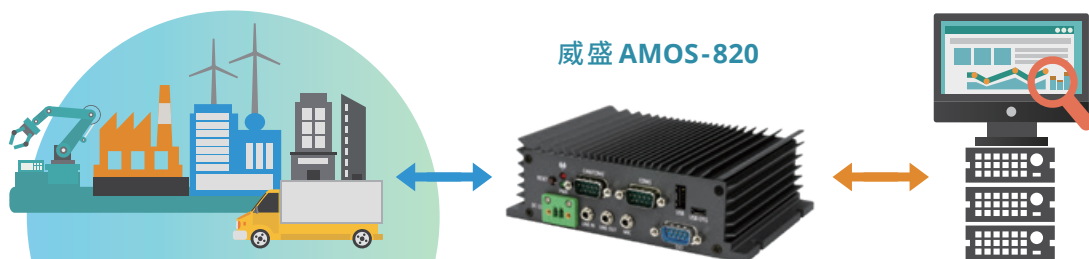




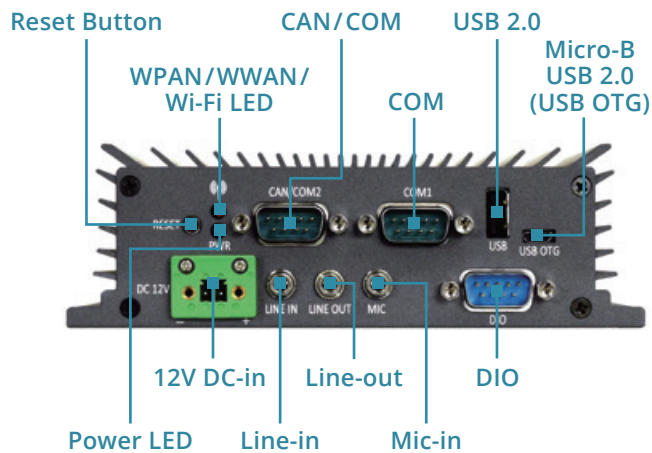
使用威盛 AMOS-820 边缘计算系统作为物联网和边缘智能部署环境下的快捷方式。这款超精简型无风扇系统将 NXP i.MX 6Quad 系列处理器的先进运算和图形性能，与丰富的 I/O、连接功能相结合，为工业物联网、企业物联网、智慧交通和能源管理应用提供高度定制化的低功耗解决方案。凭借其坚固设计和宽温工作范围，威盛 AMOS-820 能安装于最严苛的室内和室外边缘环境，为关键任务提供了极可靠的解决方案—涉及繁忙的工厂、仓库楼层、远程风力和太阳能发电厂。

威盛 AMOS-820 提供强而有力的边缘计算系统，具备丰富的 I/O 和连接功能及坚固耐用的轻巧外型。除了在一般操作下仅 7W 的极低功耗外，该系统还支持 -20°C 至 70°C 的宽温操作范围。

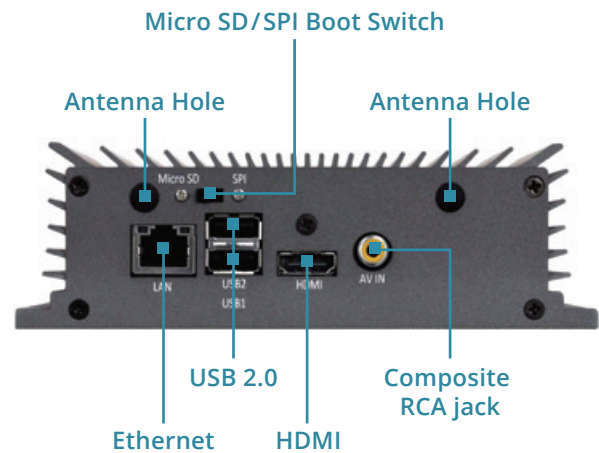
- ◆ 1.0GHz NXP i.MX 6QuadPlus 及 6Quad 系列四核处理器
- ◆ 宽温操作范围：-20°C 至 70°C
- ◆ 灵活的扩充选项，包括 3G、Wi-Fi 和 PoE (以太网供电)
- ◆ 可用 Android 5.0 和 Linux BSP
- ◆ 通过 Microsoft Azure 物联网认证
- ◆ 可与 FogHorn Lightning "边缘智能" 软件兼容



威盛 AMOS-820 前面板



威盛 AMOS-820 后面板



威盛 AMOS-820 规格

Model Name	AMOS-820-QP	* AMOS-820
Processor	1.0GHz NXP i.MX 6QuadPlus Cortex-A9 SoC	* 1.0GHz NXP i.MX 6Quad Cortex-A9 SoC
System Memory	1GB DDR3 SDRAM onboard	
Storage	4GB eMMC Flash memory	
Boot Loader	4MB SPI Flash ROM	
Graphics	Vivante GC2000+ GPU 3 independent, integrated 3D/2D and video graphics processing units Supports OpenGL® ES 3.0, OpenCL and OpenVG™ 1.1 hardware acceleration Supports MPEG-2, VC-1 and H.264 video decoding up to 1080p Supports SD encoding	* Vivante GC2000 GPU
LAN	Micrel KSZ9031RXN Gigabit Ethernet transceiver with RGMII support	
Audio	NXP SGLT5000 low power stereo codec	
HDMI	Integrated HDMI 1.4 transmitter	
USB	SMSC USB2514 USB 2.0 high speed 4-port hub controllers	
CAN	TI SN65HVD1050 EMC optimized CAN transceiver	
Expansion I/O	1 miniPCIe slot	
Front Panel I/O	1 USB 2.0 port 1 Micro USB 2.0 type B port supports OTG 1 COM (TX/RX) / 2 CAN bus ports (supports CAN protocol specification version 2.0 B) 1 COM port supports 8-wire DTE mode	1 DIO port supports 8 GPIO (4 GPI + 4 GPO) 3 Audio jacks: Line-in, Line-out and Mic-in 1 Reset button 2 LEDs for power & WPAN/WWAN/Wi-Fi status 1 2-pole Phoenix DC jack
Back Panel I/O	1 HDMI port 2 USB 2.0 ports 1 Gigabit Ethernet port (supports optional IEEE802.3 at type 2)	1 Composite RCA jack 1 Micro SD/SPI boot switch 2 Antenna Holes for 3G/Wi-Fi
Power Supply	12V DC-in (typical: 7W)	
Operating System	Android 5.0, Linux kernel 4.1.15	
VIA Smart ETK	Watchdog timer, CAN bus, GPIO, UART	
Operating Temperature	-20°C ~ 70°C (3G & Wi-Fi not included) (AMOS-820-1Q10A1, AMOS-820-5Q10A1) -20°C ~ 60°C (3G & Wi-Fi not included) (AMOS-820-2Q10A1, AMOS-820-6Q10A1)	
Operating Humidity	0% ~ 90% @ 45° C (non-condensing)	
Vibration Loading During Operation	With onboard eMMC 7Grms, IEC 60068-2-64, random, 5 ~ 500Hz, 1hr/axis	
Shock During Operation	With onboard eMMC 70G, IEC 60068-2-27, half size, 11ms duration	
PoE Function	Supports IEEE802.3 at compliant (type 2) PD (AMOS-820-2Q10A1, AMOS-820-6Q10A1)	
Bottom Opening Covers	Open window with removable door plate to access Micro SD and miniPCIe slots	
Mechanical Construction	Aluminum top chassis housing Metal chassis housing Dual removable front & rear metal face plate	
Mounting	Wall/DIN Rail/VESA mountable	
Dimensions	150.5mm(W) x 48.1mm(H) x 103.3mm(D) (5.9" x 1.9" x 4.1")	
Weight	0.673kg (1.48lbs)	
Compliance	CE, FCC	